

Twin impeller centrifugal pumps manufactured from stainless steel AISI 304, suitable for water supply, treatment and irrigation. Air conditioning systems and general water pumping including moderately aggressive liquids



### SPECIFICATIONS

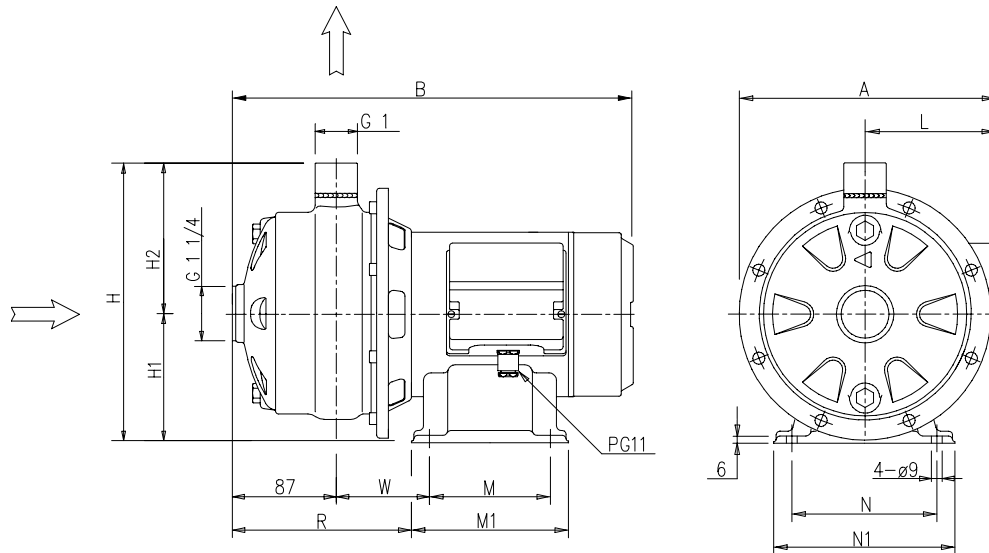
- Maximum working pressure: 8 bar
- Maximum liquid temperature: 35°C according EN 60335-2-41 for domestic uses 60°C for other uses

### MATERIALS

- Pump body, impeller, diffuser, casing cover, bracket, shaft, motor casing and fan cover in AISI 304
- Mechanical seal in carbon/ceramic/NBR
- Special mechanical seal are available on demand

### TECHNICAL DATA

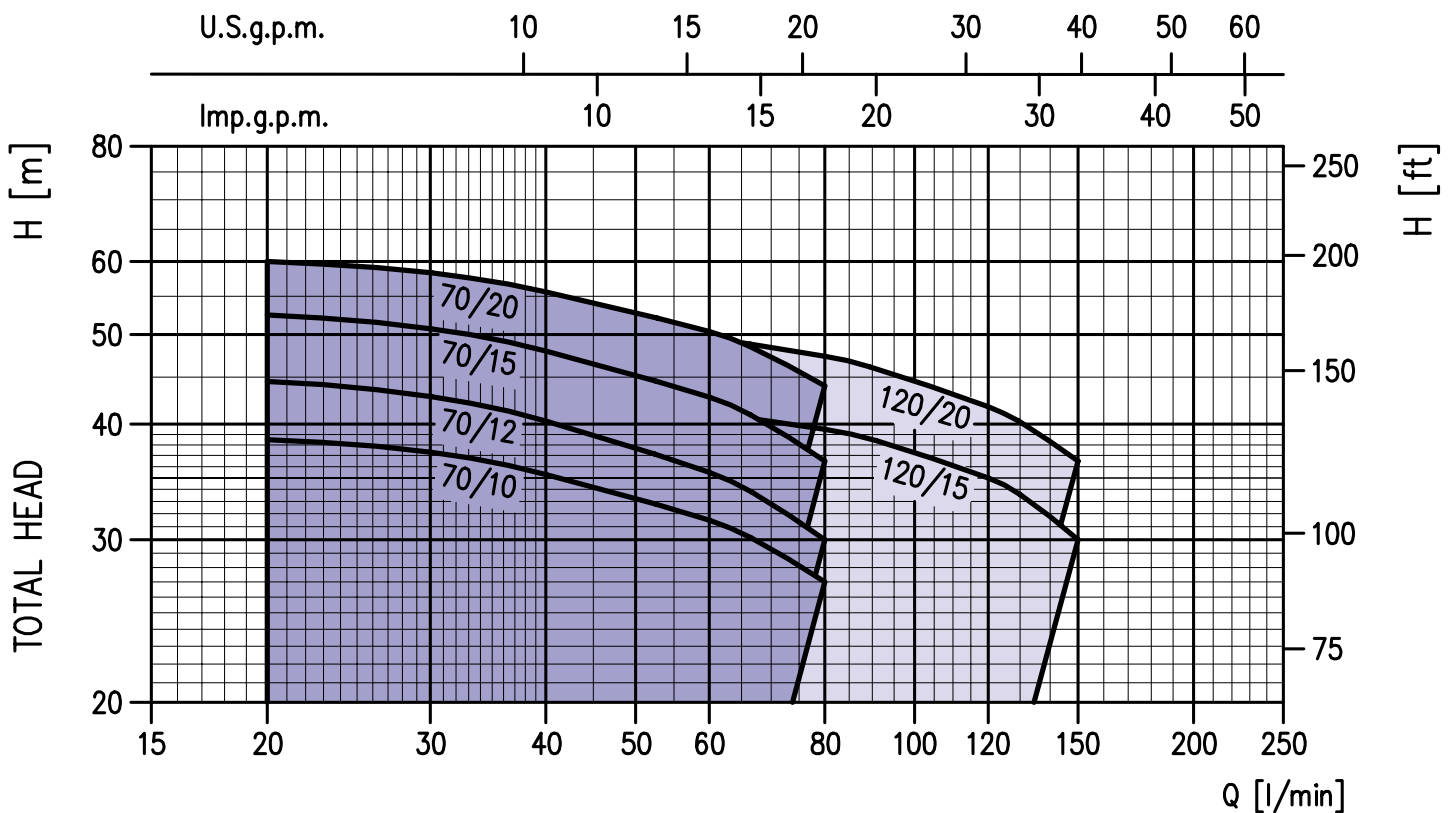
- T.E.F.C. 2 poles motor
- Insulation class F
- Protection degree IP55
- 1~230V ± 10% 50Hz, 3~230/400V ± 10% 50Hz
- Permanent split capacitor and automatic thermal overload protection for single-phase version
- Thermal protection to be provided by the user for three-phase version
- DNM 1" - DNA 1 1/4"



### DIMENSIONAL TABLE

Pump type		Dimensions (mm)														Weight		
		A		B		H	H1	H2	L		M	M1	N	N1	R	W	kg	
Single-phase	Three-phase	1~	3~	1~	3~				1~	3~							1~	3~
2CDM 70/10	2CD 70/10	210	206	363	363	229	106	123	106	102	100	130	120	150	164	93	14	14
2CDM 70/12	2CD 70/12	206	206	363	363	229	106	123	102	102	100	130	120	150	164	93	14,7	14,7
2CDM 70/15	2CD 70/15	226	226	375	393	229	106	123	110	110	120	150	140	170	170	95	17,8	17,8
2CDM 70/20	2CD 70/20	214	214	393	393	229	106	123	110	110	120	150	140	170	170	95	19,8	18,8
2CDM 120/15	2CD 120/15	214	214	375	393	229	106	123	110	110	120	150	140	170	170	95	16,1	15,8
2CDM 120/20	2CD 120/20	214	214	393	393	229	106	123	110	110	120	150	140	170	176	95	17,8	17,5

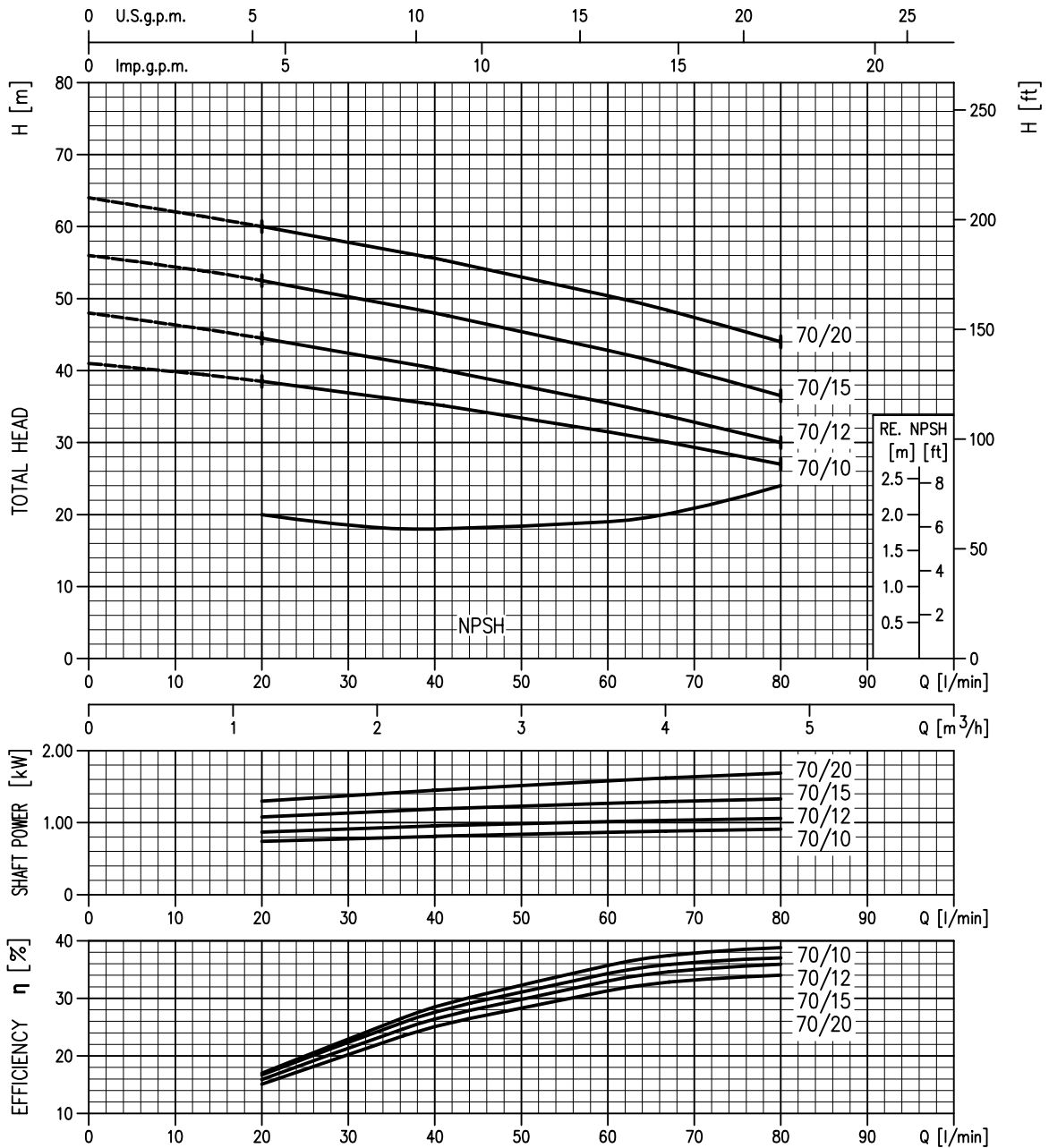
### PERFORMANCE CHART (according to ISO 9906 Annex A)



### PERFORMANCE TABLE

Pump type		kW	Capacitor		Absorbed Current (A)			l/min m <sup>3</sup> /h	Q=Capacity					
Single-phase 230V 50Hz	Three-phase 230/400V 50Hz		μF	V <sub>c</sub>	Single-phase	three-phase 230V 400V			20	40	60	80	120	150
2CDM 70/10	2CD 70/10	0,75	20	450	5,8	4,0	2,3	1,2	2,4	3,6	4,8	7,2	9	
2CDM 70/12	2CD 70/12	0,9	31,5	450	7,0	5,0	2,9	38,5	35,3	31,5	27	-	-	
2CDM 70/15	2CD 70/15	1,1	35	450	8,1	5,6	3,3	44,5	40,3	35,5	30	-	-	
2CDM 70/20	2CD 70/20	1,5	40	450	10,0	7,0	4,0	52,5	48	42,8	36,5	-	-	
2CDM 120/15	2CD 120/15	1,1	35	450	8,3	5,6	3,3	60	55,6	50,4	44	-	-	
2CDM 120/20	2CD 120/20	1,5	40	450	10,2	7,0	4,0	-	42	41	39,5	35	30	
									-	51,5	49,5	47,4	41,8	36,5

### PERFORMANCE CURVES 2CD 70 series (according to ISO 9906 Annex A)



## PERFORMANCE CURVES 2CD 120 series (according to ISO 9906 Annex A)

